



NEW

# Garnet70

NEW

# Garnet70

— Selective —      — Selective Strong —

LATEST TREND IN THE 70 SERIES

A CLASS  
WALL  
THICKNESS

TRIPLE  
SEALING  
SYSTEM

Türkoba Mah. Fırat Plastik Cad. 23  
Büyüçekmece 34537 İstanbul Türkiye

T 0090 (212) 866 41 41 | 866 42 42  
444 9 378 (FRT) | 0 800 219 80 20 **MÜŞTERİ DANIŞMA HATTI**  
F 0090 (212) 859 04 00 | 859 05 00  
E info@winhouse.com.tr | info@firat.com  
musterihizmetleri@firat.com

www.winhouse.com.tr | www.firat.com

FACEBOOK winhouse TWITTER winhousetr INSTAGRAM winhousetr

**FIRAT**



**winhouse®**





**NEW GARNET 70 SELECTIVE & NEW GARNET SELECTIVE STRONG WINDOW AND DOOR SYSTEM**

**NEW ERA IN SERIES OF 70MM WIDTH**

**NEW GARNET SELECTIVE & NEW GARNET SELECTIVE STRONG**  
Today's city culture and structural technologies are shaped at totally new dimensions. Cities are full of differentiating silhouettes caused by this change. New living areas make aesthetics, isolation, comfort, and efficiency principles come forward. Following closely this change, we fulfil the need of the differentiating construction technologies with a new series. New Garnet Selective and New Garnet Selective Strong (triple sealing) with Class A wall thickness, which interpret the 70 mm series with a different aesthetics and isolation perspective, is a new choice of the modern structures.

**ABOVE-STANDARD SOLUTIONS WITH 700 MM SERIES**

New Garnet Selective and New Garnet Selective Strong Series, which were designed to bring a new dimension to the quality and aesthetical understanding of the window standard, increase the comfort in your living areas with the excellent heat and sound insulation. New Garnet Selective, whose all profiles have got 70 mm width, 5 chambered design and Class A wall thickness and New Garnet Selective Strong with triple sealing are new choices of the new generation architecture. New Garnet Selective and New Garnet Selective Strong fulfill

the expectations of the new trends with their 22 different color options and start a new era in 70mm series of windows providing excellent heat and sound insulation in modern structures. New Garnet Selective series develop different alternatives that are compatible with your furniture and wall color and the outer facade of the buildings

**SYSTEM**

New Garnet Selective Strong provides maximum insulation values in the 70 series with its triple sealing design in the New Garnet Selective System which has all main profiles of 70 mm width and B class wall thickness. While the system has 4 different types of oval shaped glazing beads which increase the interior width, it also offers 4 different decorative glazing bead profile alternatives. It can solve all the architectural details thanks to its detailed and auxiliary profiles designed compatible with its main profiles. Glass application until 40 mm can be done thanks to the system's glazing bead profiles.

**WIND LOAD RESISTANCE**

Garnet system is designed pursuant to 1.800 Pa safety test on wind load and 600 Pa (110 km/h) water impermeability strength test and it has successfully passed these tests. The New Garnet Selective Strong Series, which has triple sealing for providing resistance in high wind load structures, offers perfect solutions. While developing Garnet system, the maximum wind load values to which the buildings can be exposed were taken into the consideration; the structure of the reinforcement steel and their locations inside the profiles were designed in the most effective way. System, whose detailed and box profiles provide solutions to meet the architectural needs, easily ensures the closure of the wide openings and necessary resistance values.

**WATER AND AIR IMPERMEABILITY**

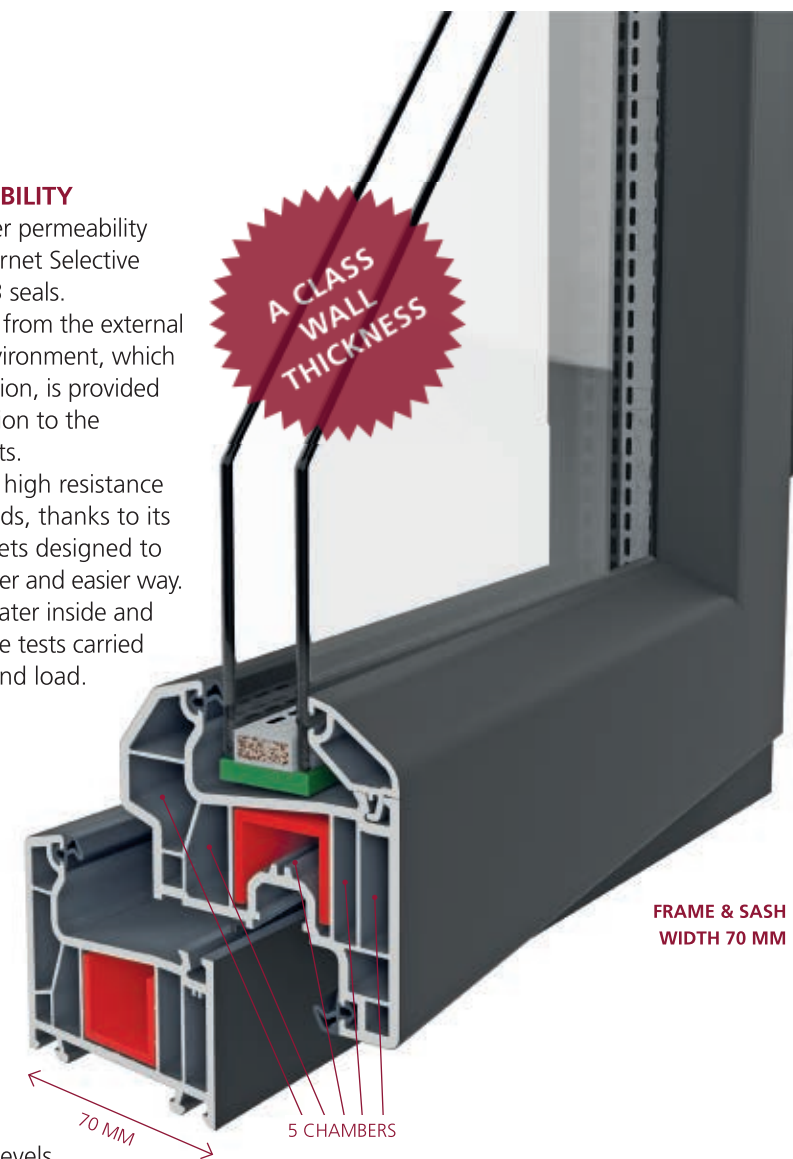
In order to keep air and water permeability at the lowest level, the New Garnet Selective Strong Series is designed with 3 seals. Preventing the passage of air from the external environment to the internal environment, which is required for energy conservation, is provided with the middle gasket in addition to the standard inner and outer gaskets. The Garnet System provides high resistance to water even at high wind loads, thanks to its water drainage channels and sets designed to discharge the rainwater in a faster and easier way. The system did not let any water inside and proved its high quality under the tests carried out with 600 Pa (110 km/h) wind load.

**HEAT INSULATION**

The profile designs of New Garnet Selective and New Garnet Selective Strong were made as for the thermal conductivity coefficient values which is the most important part of energy conservation, to be at minimum levels. Profile width, chamber numbers and chamber width of the system were created to keep the heat and sound insulation at maximum levels. With the triple sealing seal system, the best insulation values that can be achieved in a 70 PVC window system have been achieved. All profiles of Garnet and Garnet Selective system have a structure of 5 chambers and since the chamber width is large, low level coefficient of thermal conductivity values are provided. Compatible with TS EN ISO 10077-2 standards, Ug: 0.7 W/m²K, Uw: 1.05 W/m²K, and Uf: 1.2 W/m²K values were accomplished with the windows system which has a size of 1,23m x 1,43m.

**SOUND INSULATION**

One of the most important criteria in window systems is the sound insulation. High sound levels about 70 dB in the areas close to airports, railways or crowded highways are decreased to values under 30 dB which a child can sleep easily by with the New Garnet Selective and New Garnet Selective Strong systems. Sound insulation up to 40 dB value can be provided with Garnet Selective and Garnet Selective Strong series. Therefore, it is possible to create a sound environment at a high quality life level even at the loudest places.



FRAME & SASH WIDTH 70 MM

5 CHAMBERS

70 MM



TRIPLE SEALING SYSTEM

A CLASS WALL THICKNESS

**COLOUR AND DESIGN CHART**

PROFILE WIDTH: 70 mm

WALL THICKNESS: A CLASS

NUMBER OF SEALS: NEW GARNET SELECTIVE: 2 NEW GARNET SELECTIVE STRONG: 3

CHAMBERS: 5

SOUND INSULATION: 40 db

AIR PERMEABILITY CLASS: 4

WATER IMPERMEABILITY CLASS: 9A

PROFILE HEAT INSULATION (W/m²K): 1,20

WINDOW HEAT INSULATION (W/m²K): 1,05

WIND LOAD RESISTANCE CLASS: C3

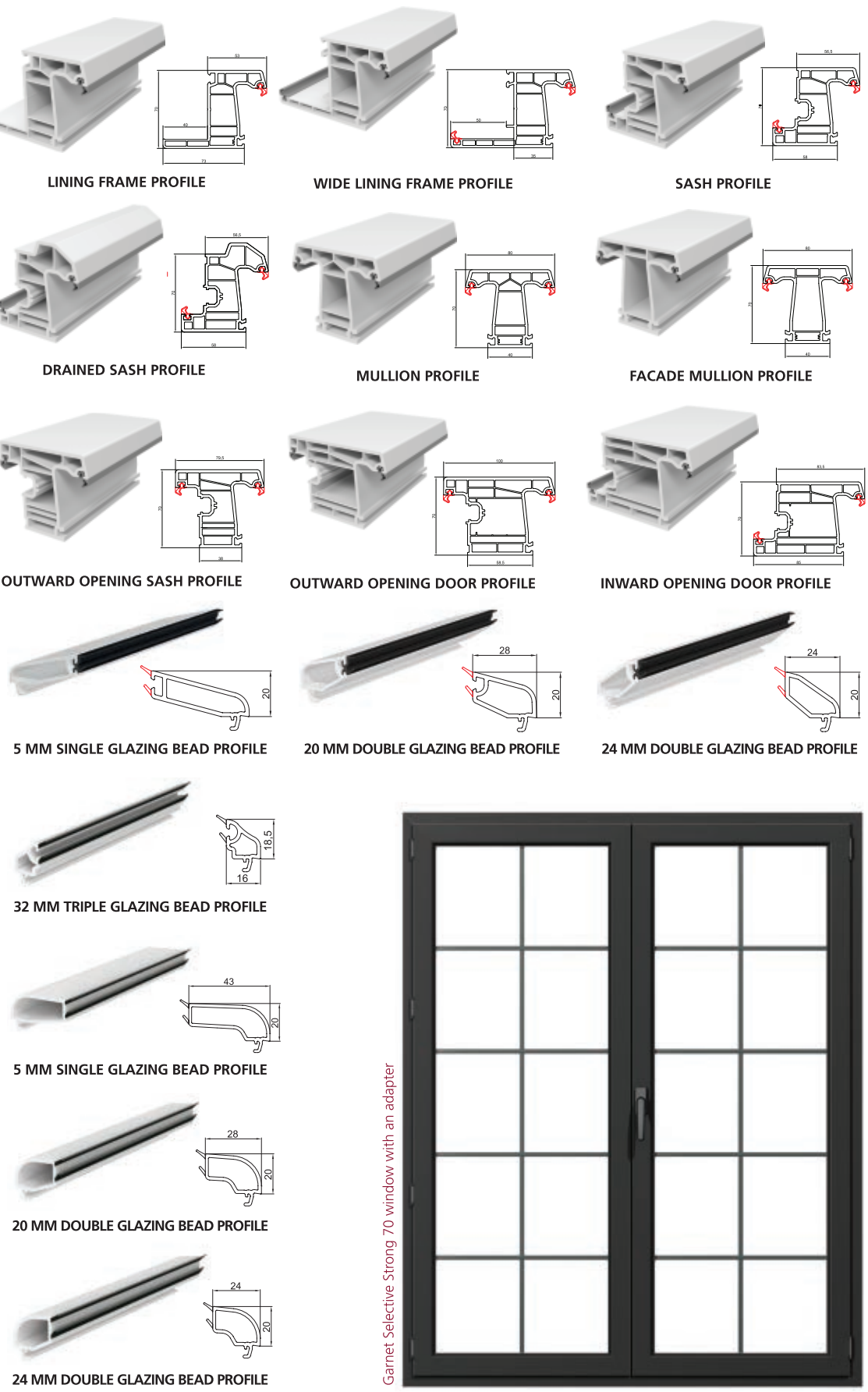
GLASS THICKNESS: 5, 20, 24, 32, 40 mm

Calculations were made according to TS EN ISO 10077-2 standard, using a glass unit with a heat transmission coefficient of 0.7 W/m²K for a window measuring 1.23 x 1.43 m.



WHITE	CREAM WHITE	MAHOGANY
EICHE RUSTICAL	DARK OAK	DARK GREEN
STEEL BLUE	GOLDEN OAK	OAK
WALNUT	CEDAR	ANTEAK
WINCHESTER	MACORE	ANTHRACITE
SMOOTH ANTHRACITE	BLACK ULTI-MATT	TROMPET
GREY	SILVER BRUSH EFFECT	SILVER D (SILVER GREY)
ALUMINIUM BRUSH EFFECT		

**NEW GARNET 70 SELECTIVE & NEW GARNET SELECTIVE STRONG SERIES PROFILES**



Garnet Selective Strong 70 window with an adapter

